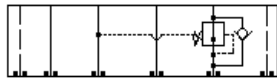
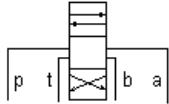
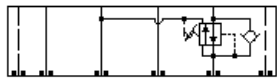


MODELL
BJ2

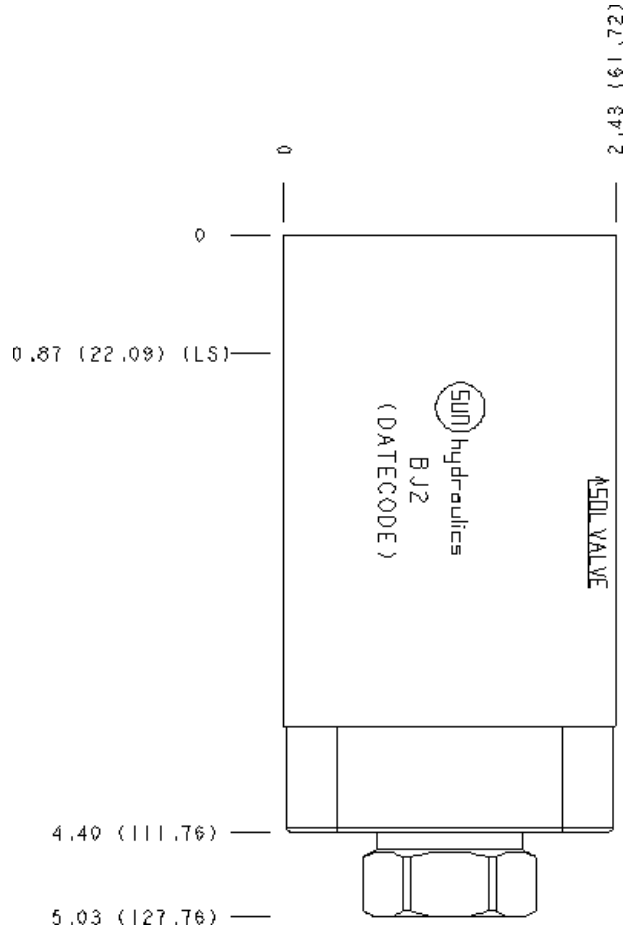
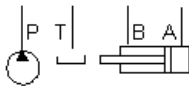
2-Wege-Druckregler in A, Umgehungsrückschlagventil
EINSCHRAUBBOHRUNG: T-2A



Reducing, On A, drain to T, with reverse flow check



Reducing/Relieving, On A with reverse flow check



KONFIGURATION ÄNDERN

(none) Modifier 6061-T651
Aluminum, Buna-N

KOMPONENTEN

Part	Beschreibung	Anzahl
340-002	Pipe Plug	1
CXFAXCN	Cartridge	1

BEMERKUNGEN

Stack height value in technical data table includes seal retainer plate.

This installation requires a retainer and seal kit which are purchased separately. See "Used With" section.

Important: Carefully consider the maximum system pressure. The pressure rating of the manifold is dependent on the manifold material, with the port type/size a secondary consideration. Manifolds constructed of aluminum are not rated for pressures higher than 3000 psi (210 bar), regardless of the port type/size specified.

TECHNISCHE DATEN

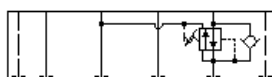
Gehäusotyp	Sandwich
Lochbild	ISO 05 - X und Y
Gehäuseeigenschaften	2-Wege-Druckregler in A, Umgehungsrückschlagventil
Verkettungshöhe	63 mm
Einschraubbohrung	T-2A
Open Cavities	1

SYMBOLS

Reducing, On A, drain to T, with reverse flow check



Reducing/Relieving, On A with reverse flow check



CONFIGURATION OPTIONS

MODIFIER

Standard Options	/S	6061-T651 Aluminum, Buna-N
	/V	65-45-12 Ductile Iron, Buna-N, Blackened
	/Y	6061-T651 Aluminum, Viton
	/Y	65-45-12 Ductile Iron, Viton, Blackened

USED WITH

What models can this kit be used with?

990-120-009

Dichtplatte und Buna-N Dichtsatz für Zwischenplatte ISO 05 X/Y (US Version)

990-120-010

Dichtplatte und Vitondichtsatz für Zwischenplatte ISO 05 X/Y (US Version)

990-120-011

Dichtplatte und Vitondichtsatz für Zwischenplatte ISO 05 X/Y (Europaversion)

990-120-012

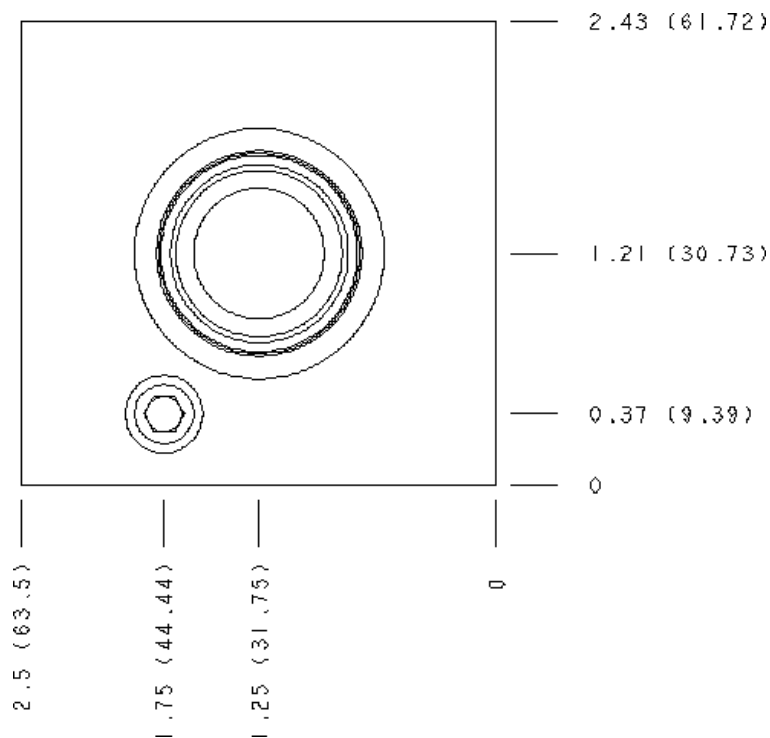
Dichtplatte und Buna-N Dichtsatz für Zwischenplatte ISO 05 X/Y (Europaversion)

MANIFOLD FACES

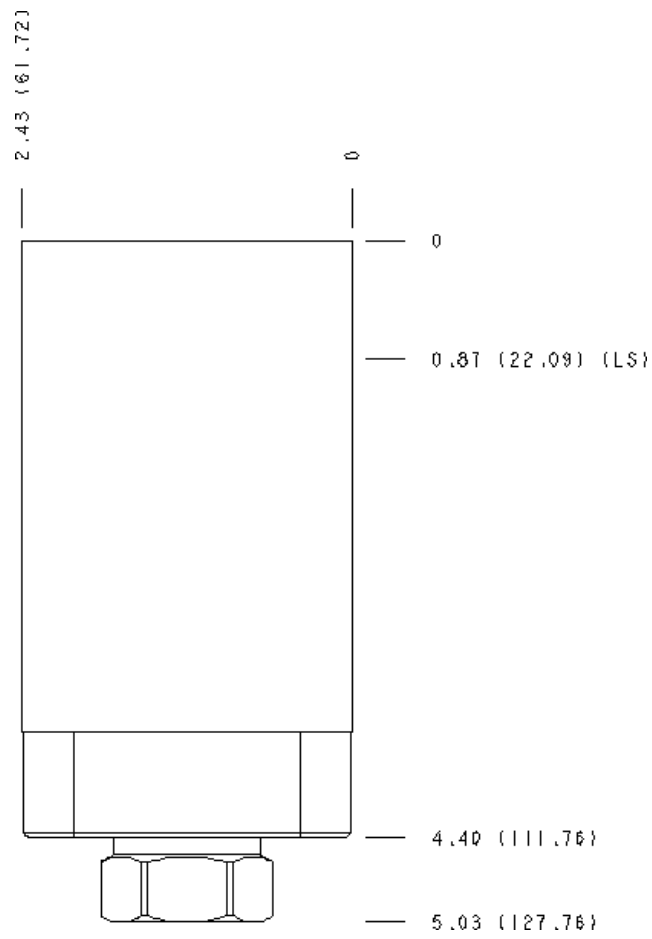
FACE GRID

1	2	3	4
5	6	7	8
9	10	11	12

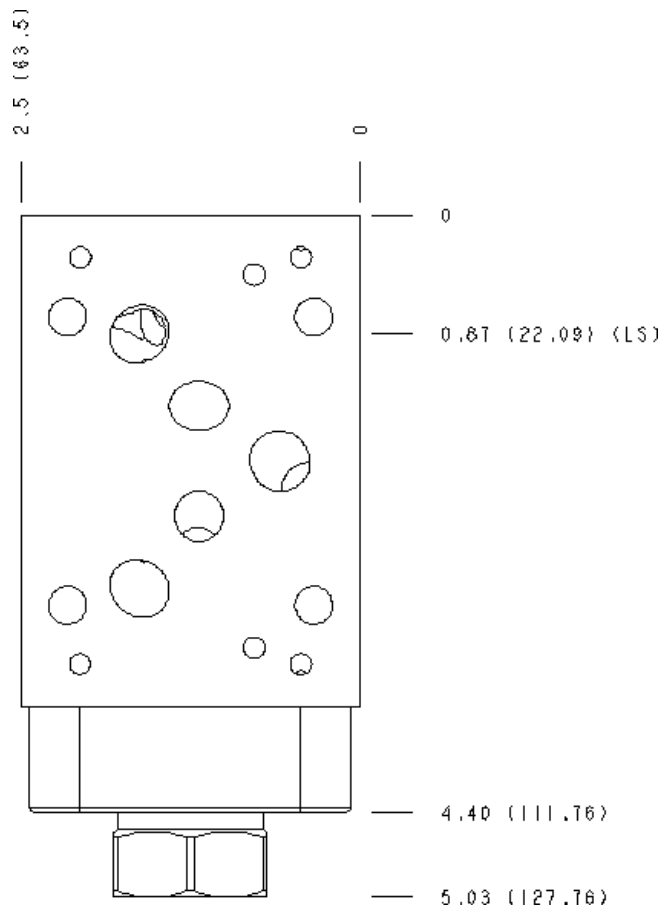
Face 2



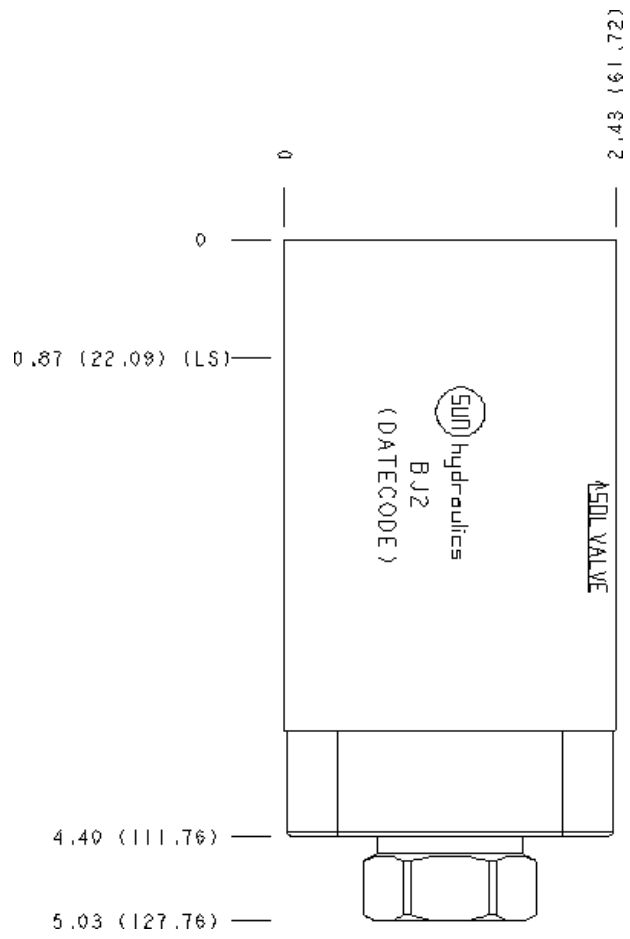
Face 5



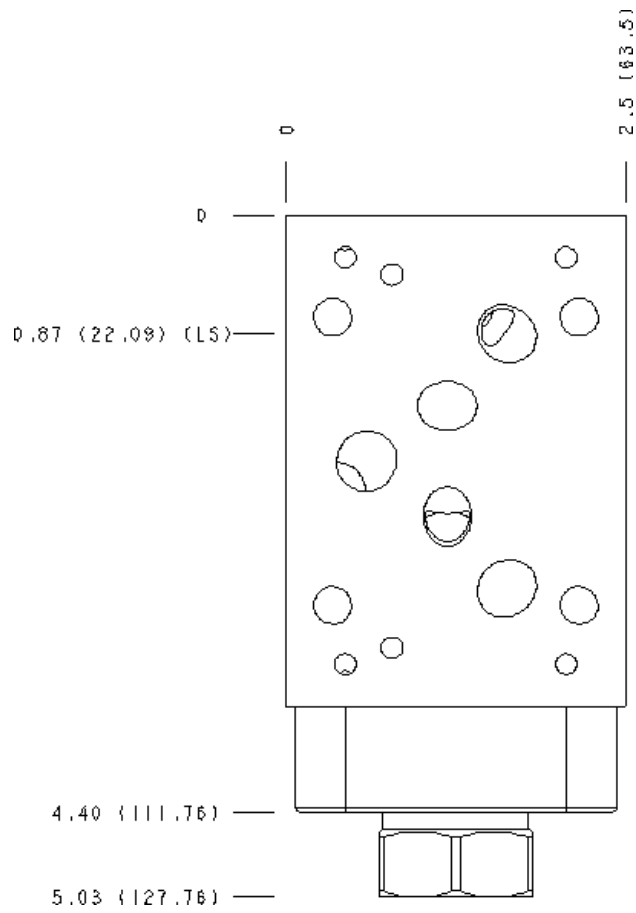
Face 6



Face 7



Face 8



Face 10

