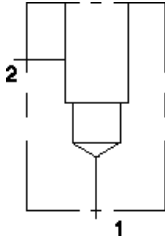


MODELL
FAU

90 Grad
EINSCHRAUBBOHRUNG: T-10A



KONFIGURATION ÄNDERN

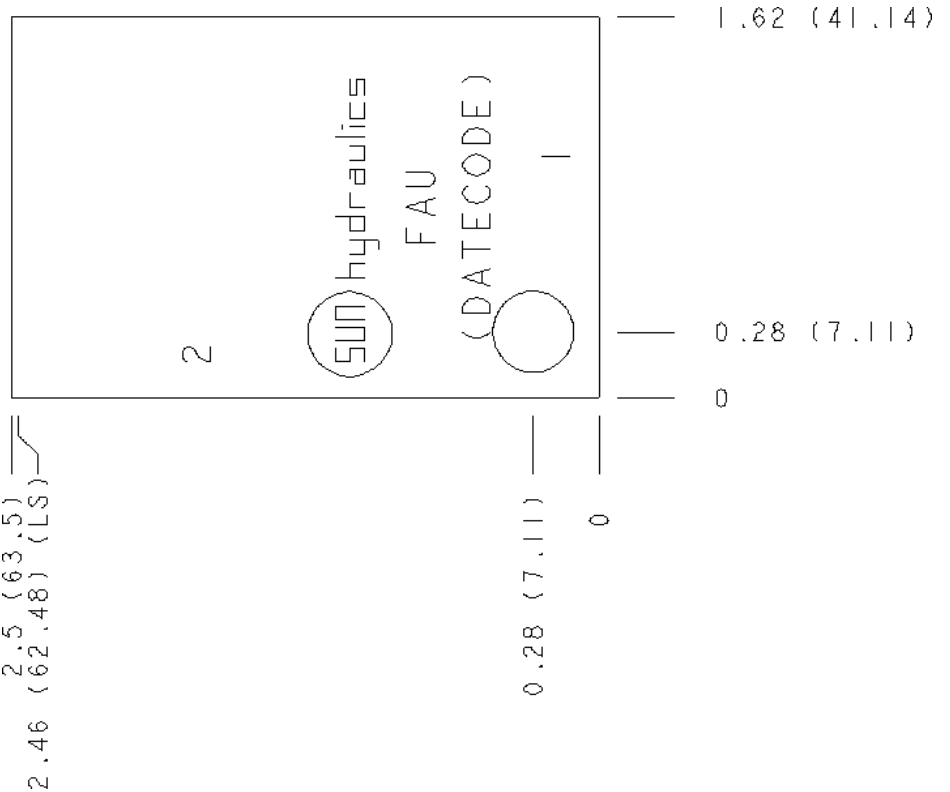
(none) Modifier 6061-T651
Aluminum, Buna-N

PORT HEADINGS AND SIZES

| Model | Port Heading | Size |
|-------|--------------|-----------|
| FAU | All Ports | 3/8" BSPP |

BEMERKUNGEN

Important: Carefully consider the maximum system pressure. The pressure rating of the manifold is dependent on the manifold material, with the port type/size a secondary consideration. Manifolds constructed of aluminum are not rated for pressures higher than 3000 psi (210 bar), regardless of the port type/size specified.



TECHNISCHE DATEN

| | |
|-----------------------------|--------------------|
| Gehäusotyp | Rohrleitungseinbau |
| Lochbild | Kein |
| Gehäuseeigenschaften | 90 Grad |
| Montagebohrungsdurchmesser | 8.6 mm |
| Montagebohrungstiefe | durchgehend |
| Anzahl der Montagebohrungen | 1 |
| Einschraubbohrung | T-10A |
| Open Cavities | 1 |
| Anschlussgröße | G 3/8" |

CONFIGURATION OPTIONS

MODIFIER

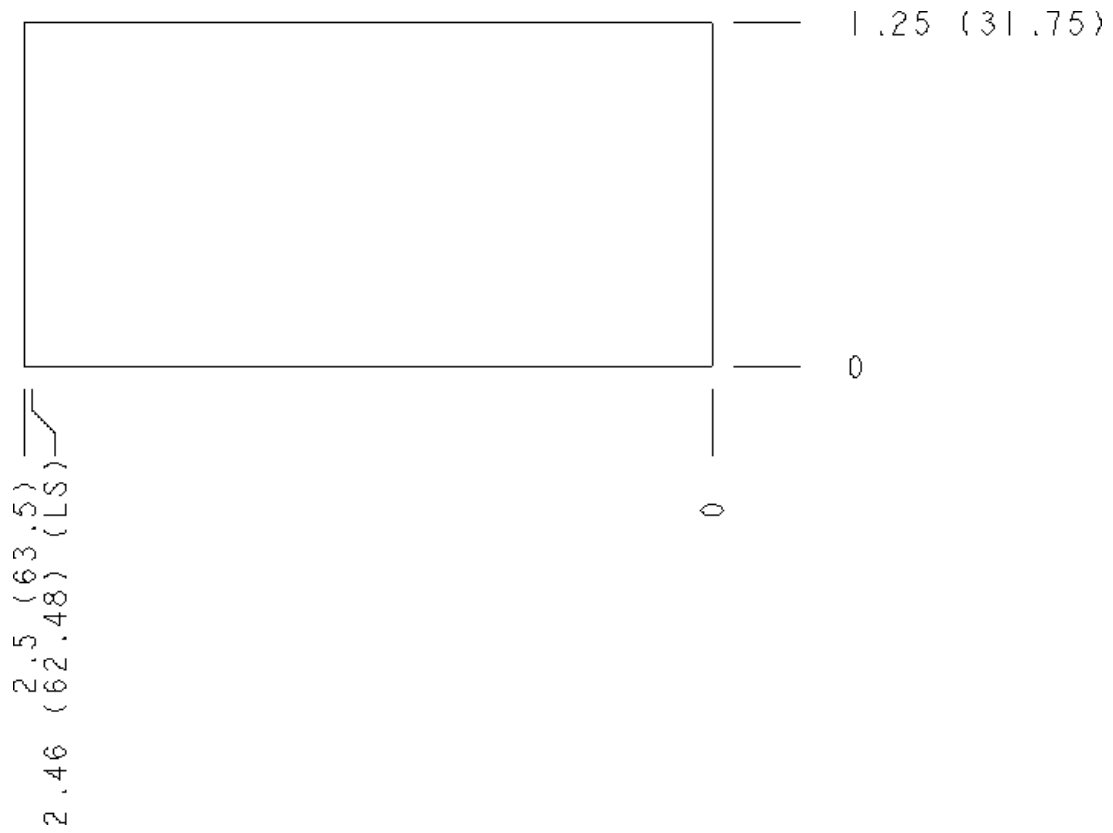
| | |
|-------------------------|--|
| Standard Options | 6061-T651 Aluminum, Buna-N |
| /S | 65-45-12 Ductile Iron, Buna-N, Blackened |

MANIFOLD FACES

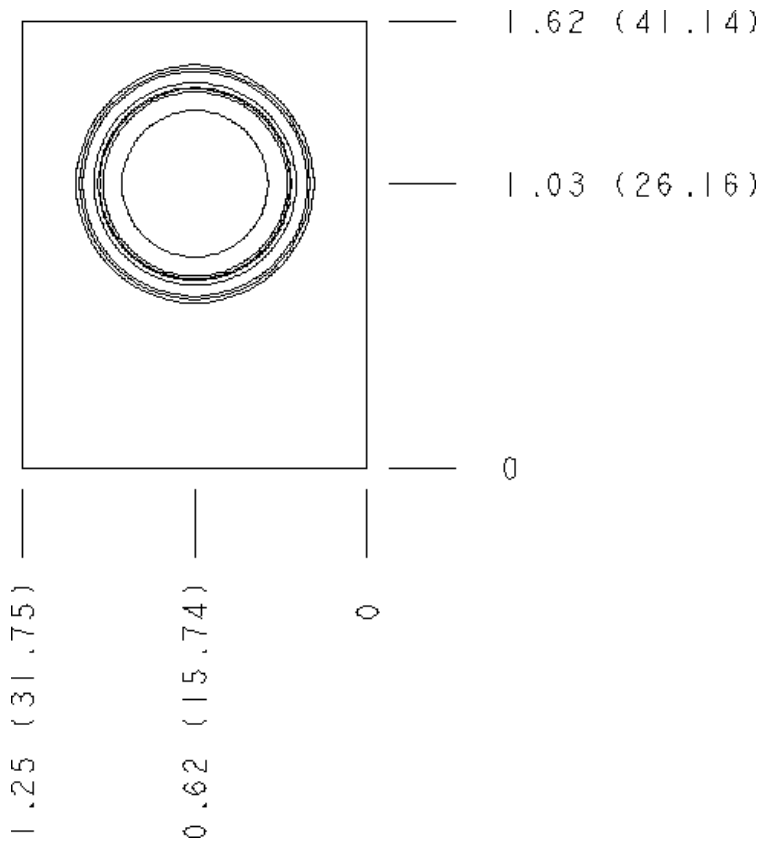
FACE GRID

| | | | |
|---|----|----|----|
| 1 | 2 | 3 | 4 |
| 5 | 6 | 7 | 8 |
| 9 | 10 | 11 | 12 |

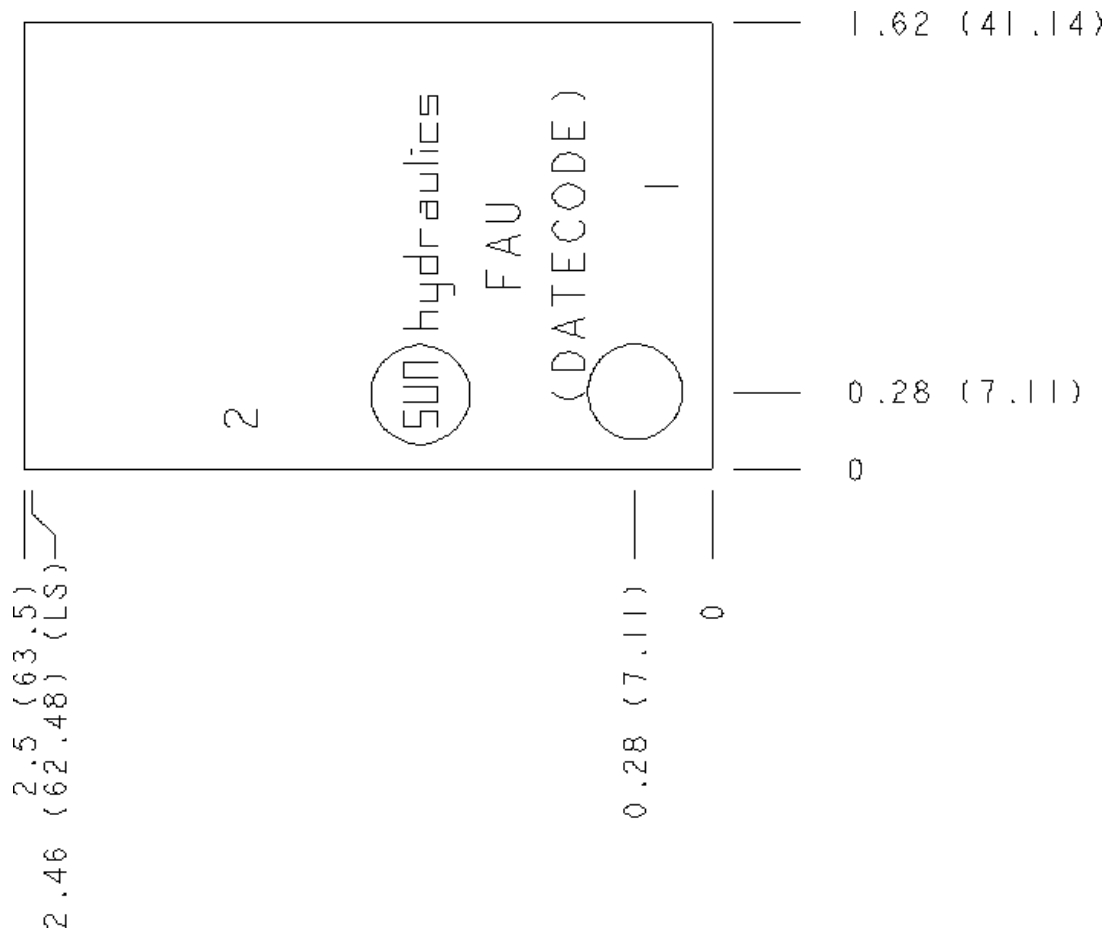
Face 2



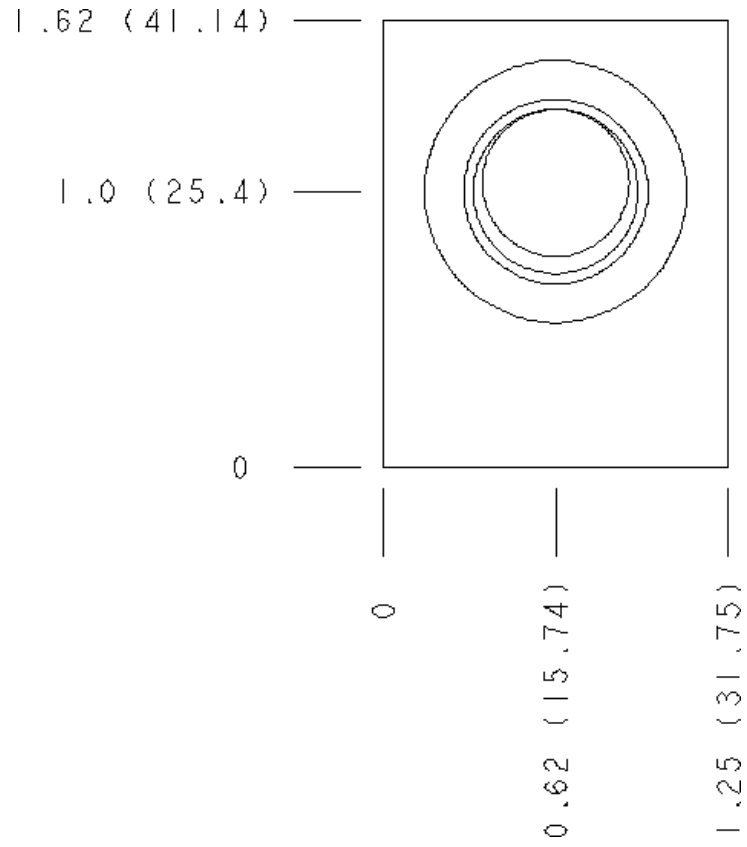
Face 5



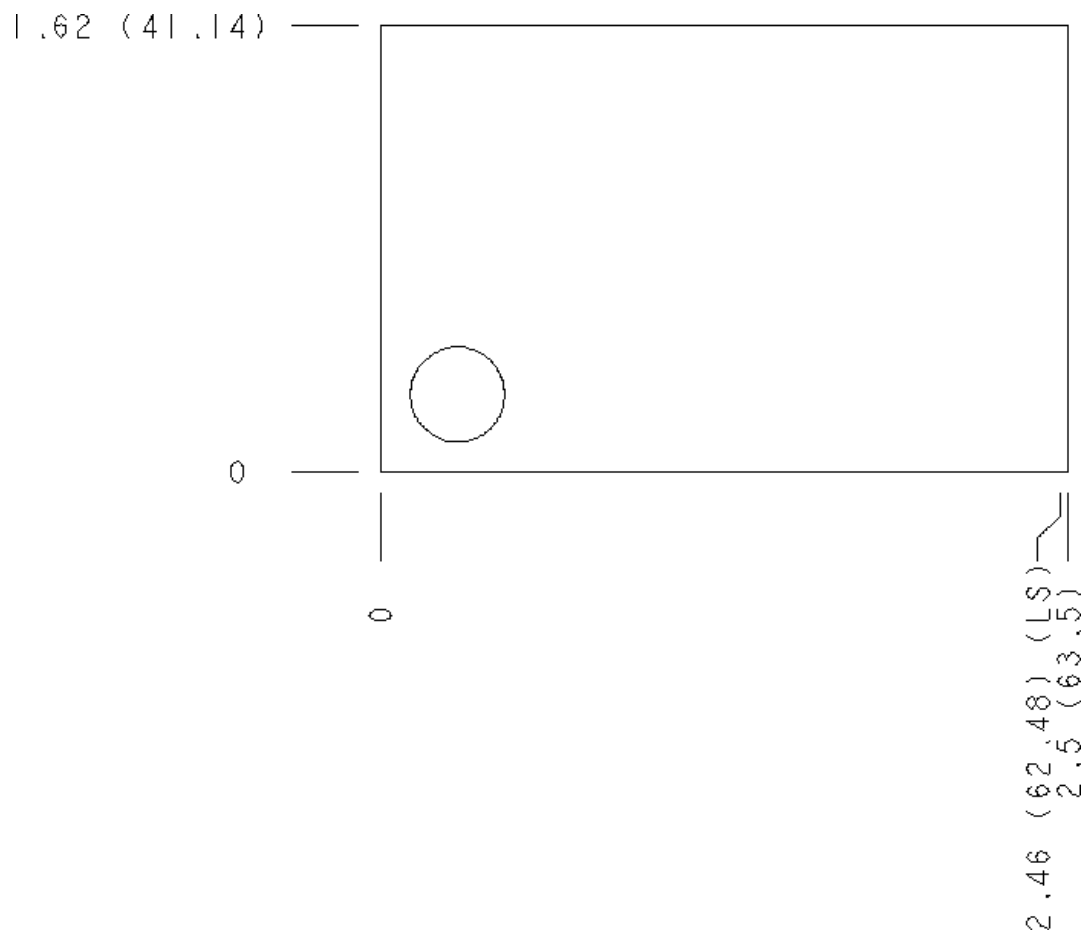
Face 6



Face 7



Face 8



Face 10

