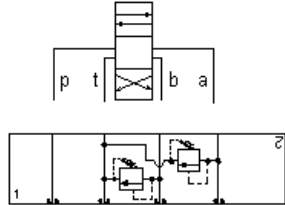
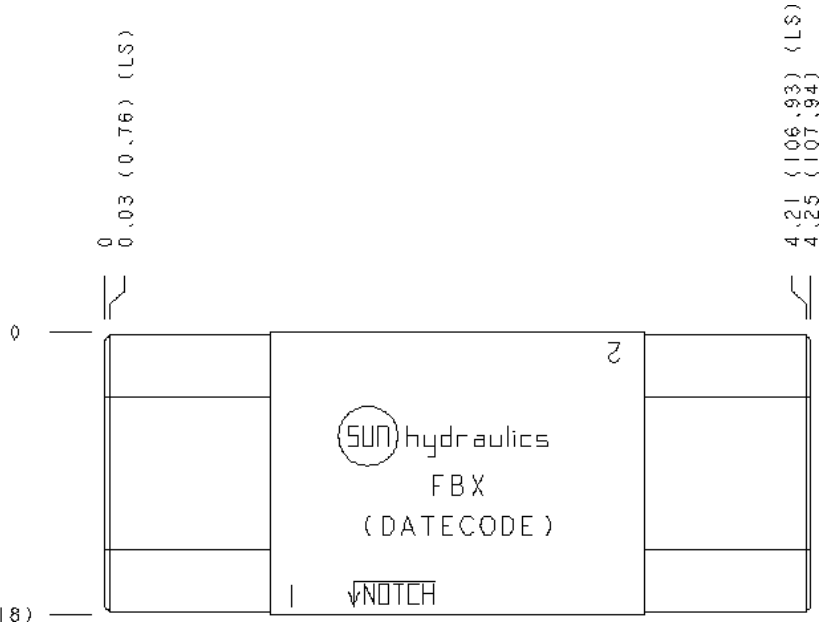
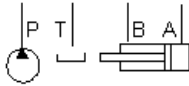


MODELL
FBX

A und B nach T
EINSCHRAUBBOHRUNG: T-10A



Relief, A and B to T High Capacity



KONFIGURATION ÄNDERN

(none) Modifier 6061-T651 Aluminum, Buna-N

KOMPONENTEN

Part	Beschreibung	Anzahl
500-001-012	O-Ring	4
700-002	Seal Plate	1
811-001-006	Pin	1

BEMERKUNGEN

Important: Carefully consider the maximum system pressure. The pressure rating of the manifold is dependent on the manifold material, with the port type/size a secondary consideration. Manifolds constructed of aluminum are not rated for pressures higher than 3000 psi (210 bar), regardless of the port type/size specified.

TECHNISCHE DATEN

Gehäusotyp	Sandwich
Lochbild	ISO 03
Gehäuseeigenschaften	A und B nach T
Verkettungshöhe	44,5 mm
Einschraubbohrung	T-10A
Open Cavities	2

CONFIGURATION OPTIONS

MODIFIER

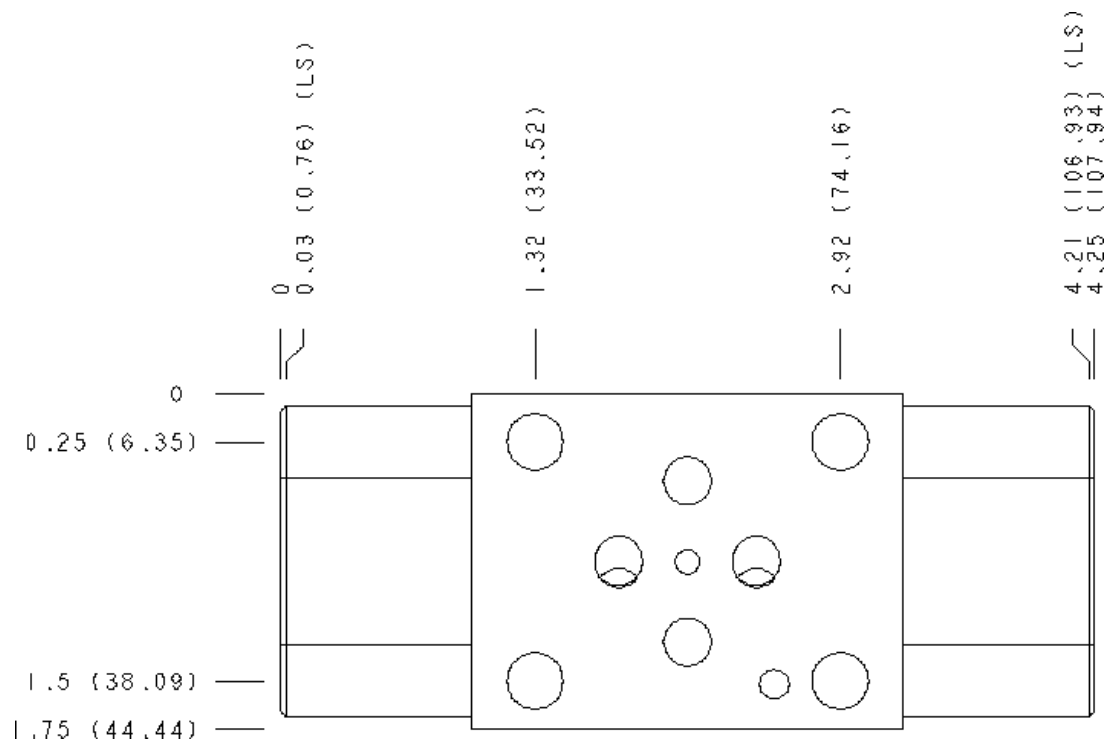
		6061-T651 Aluminum, Buna-N
Standard Options	/S	65-45-12 Ductile Iron, Buna-N, Blackened
	/V	6061-T651 Aluminum, Viton
	/Y	65-45-12 Ductile Iron, Viton, Blackened

MANIFOLD FACES

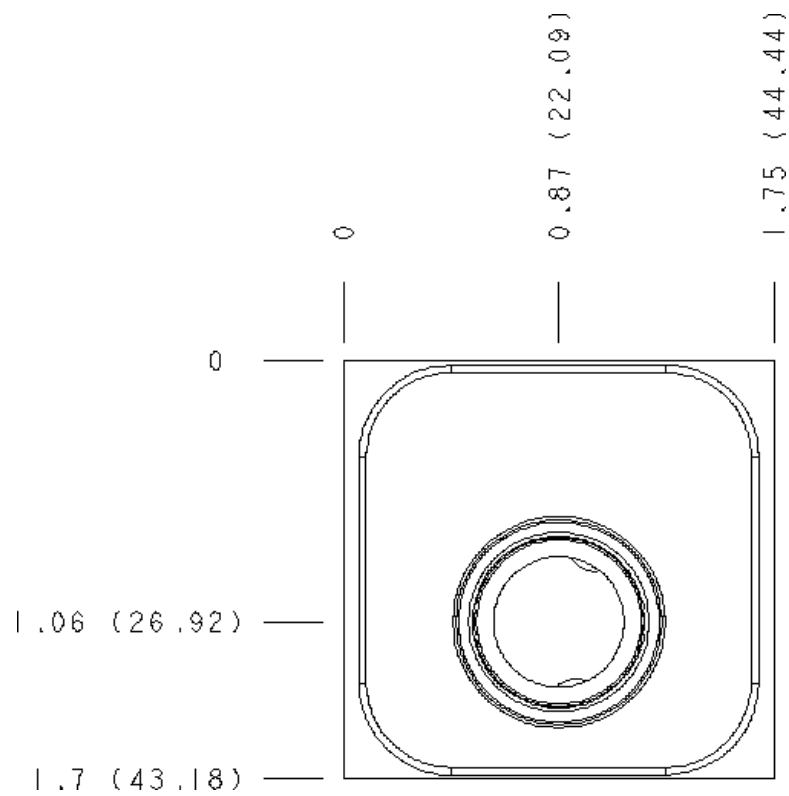
FACE GRID

1	2	3	4
5	6	7	8
9	10	11	12

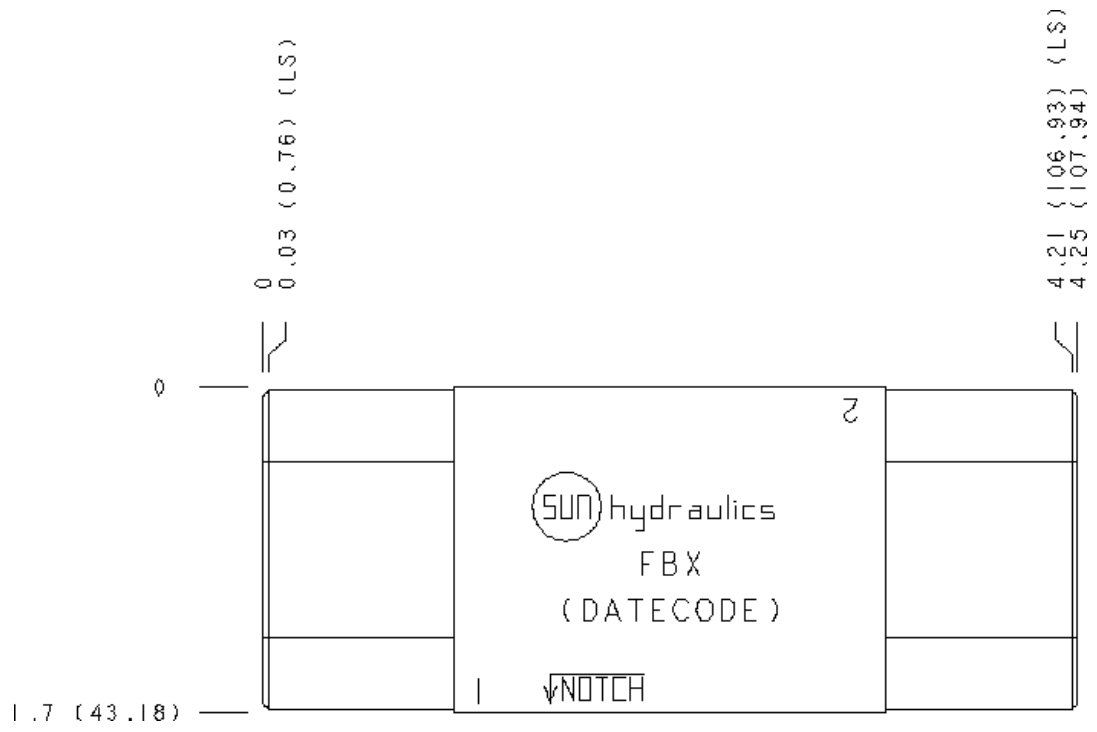
Face 2



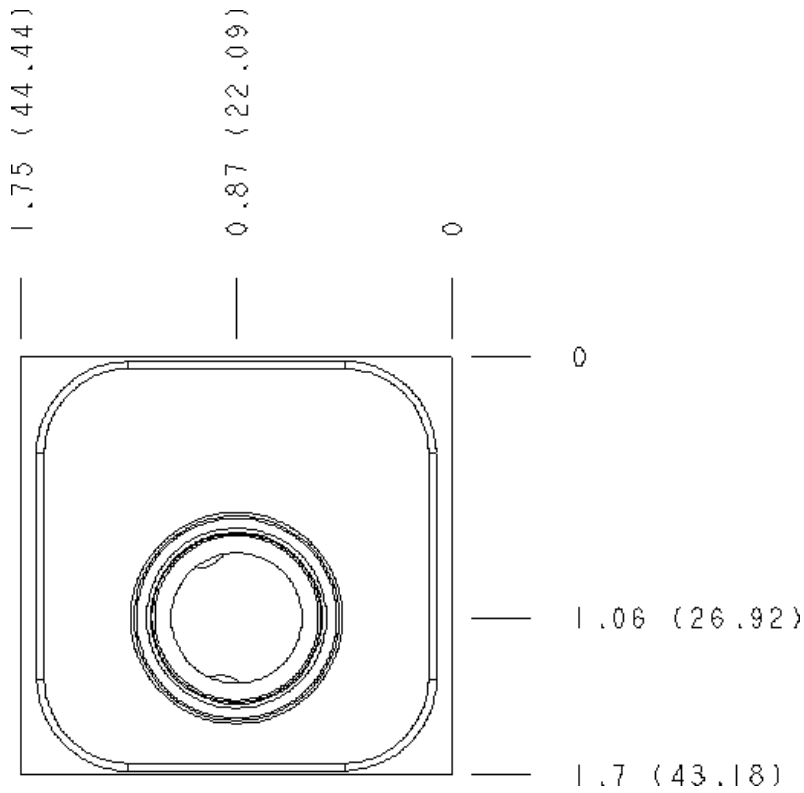
Face 5



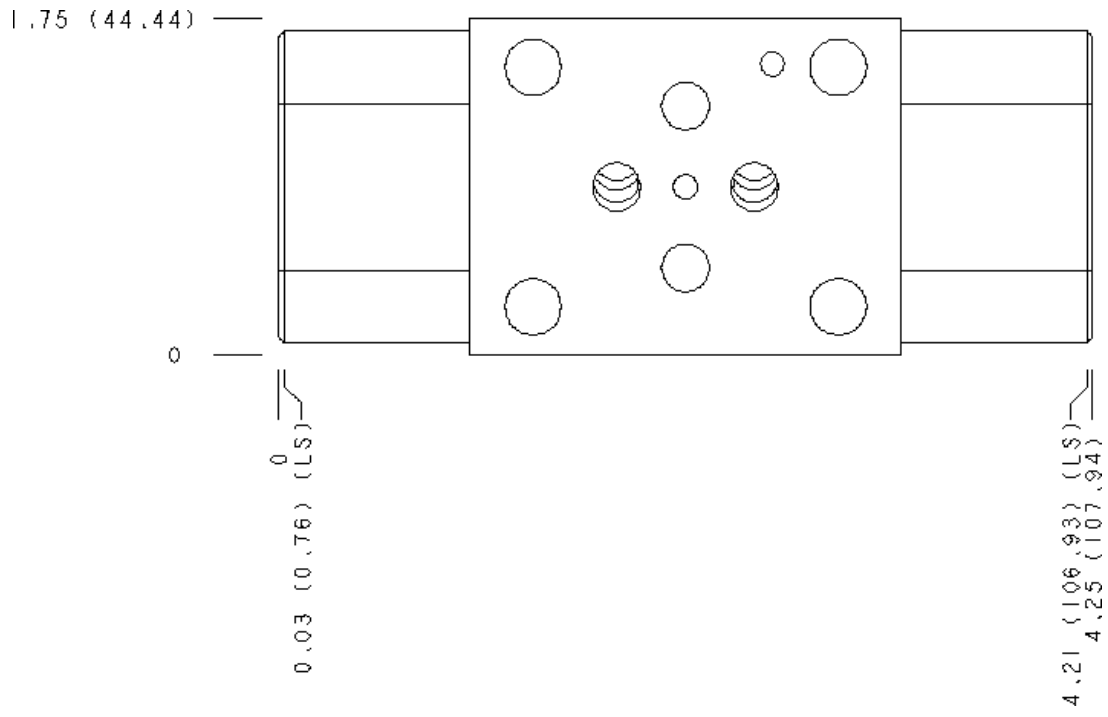
Face 6



Face 7



Face 10



Copyright © 2002-2014 Sun Hydraulics Corporation. All rights reserved.