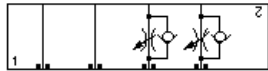
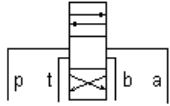
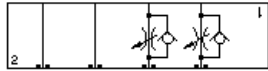


MODELL
GBY

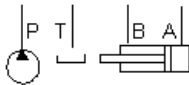
Strom in Arbeitsanschluss A und B oder aus A und B
EINSCHRAUBBOHRUNG: T-13A



Flow Control, Meter-In, A and B

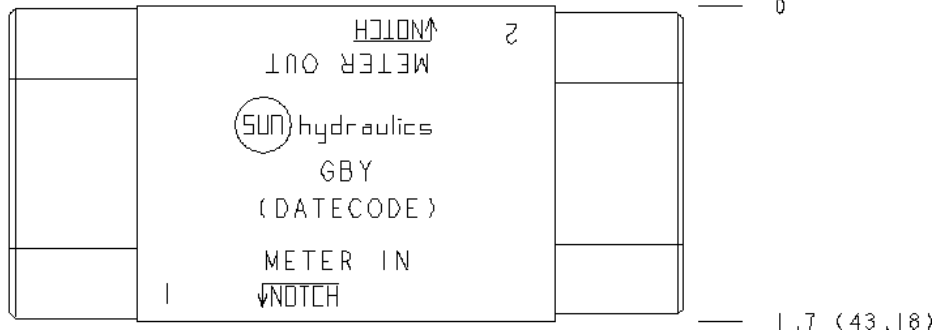


Flow Control, Meter-Out, A and B



3.62 (91.94) (LS)
3.59 (91.18) (LS)

0.03 (0.76) (LS)



KONFIGURATION ÄNDERN

(none) Modifier 6061-T651 Aluminum, Buna-N

KOMPONENTEN

Part	Beschreibung	Anzahl
500-001-012	O-Ring	4
700-002	Seal Plate	1
811-001-006	Pin	1

BEMERKUNGEN

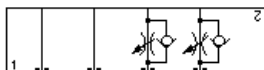
Important: Carefully consider the maximum system pressure. The pressure rating of the manifold is dependent on the manifold material, with the port type/size a secondary consideration. Manifolds constructed of aluminum are not rated for pressures higher than 3000 psi (210 bar), regardless of the port type/size specified.

TECHNISCHE DATEN

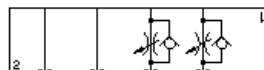
Gehäusetyp	Sandwich
Lochbild	ISO 03
Gehäuseeigenschaften	Strom in Arbeitsanschluss A und B oder aus A und B
Verkettungshöhe	44,5 mm
Einschraubbohrung	T-13A
Open Cavities	2

SYMBOLS

Flow Control, Meter-In, A and B



Flow Control, Meter-Out, A and B



CONFIGURATION OPTIONS

MODIFIER

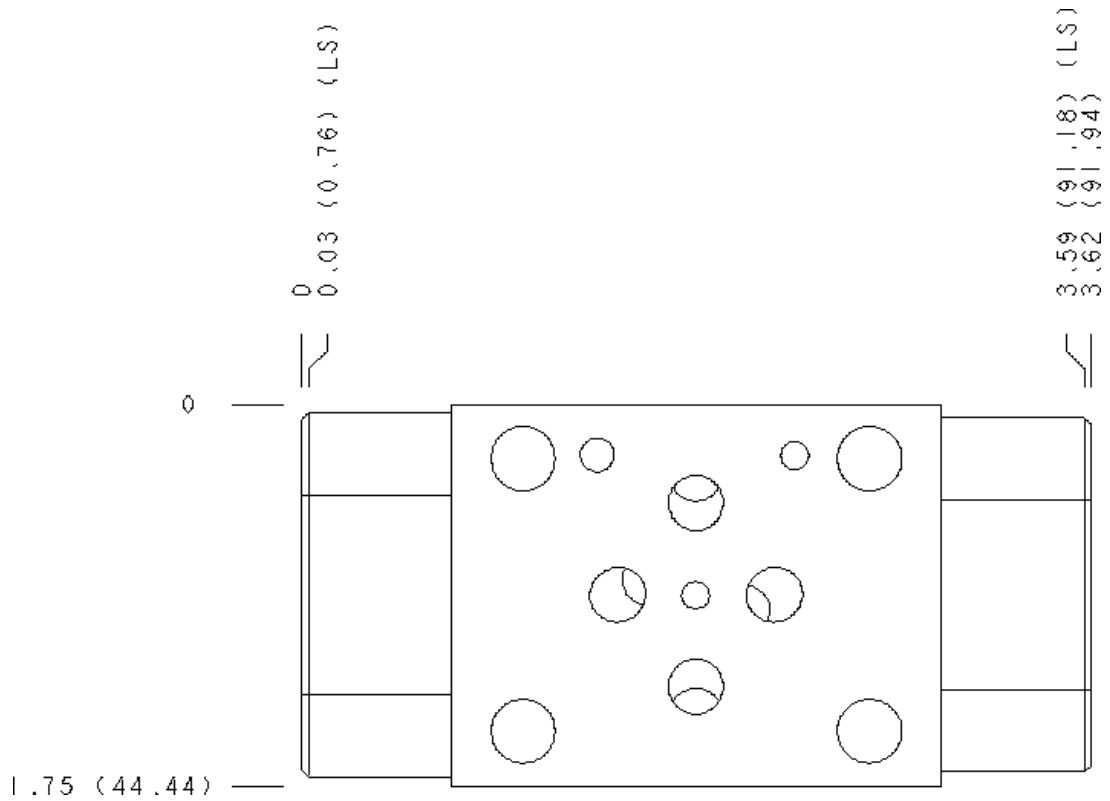
Standard Options	/S	6061-T651 Aluminum, Buna-N
	/V	65-45-12 Ductile Iron, Buna-N, Blackened
		6061-T651 Aluminum, Viton

MANIFOLD FACES

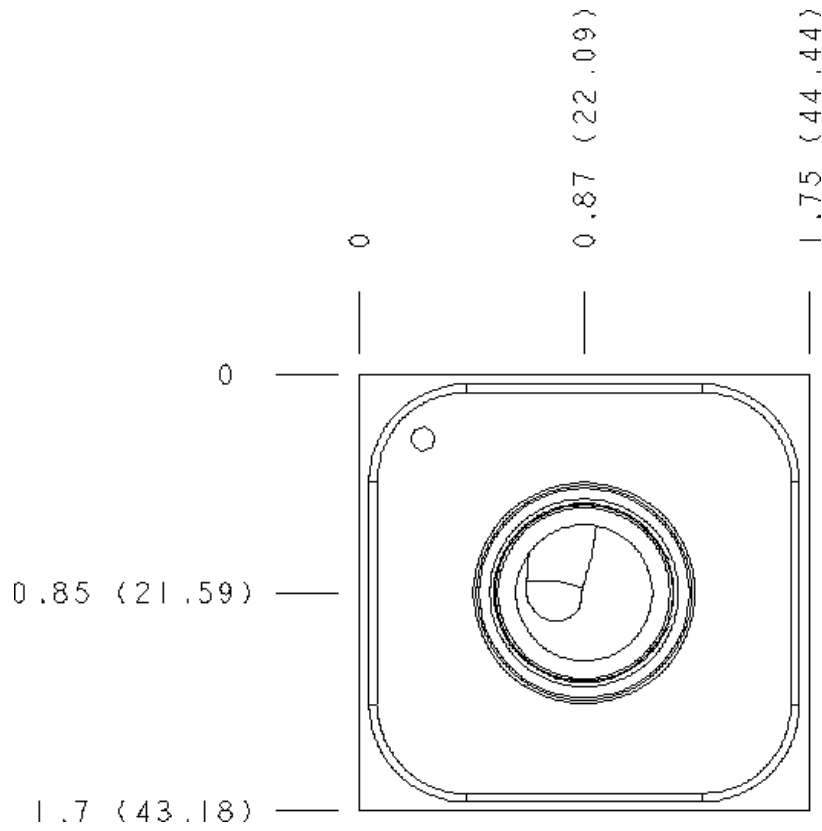
FACE GRID

1	2	3	4
5	6	7	8
9	10	11	12

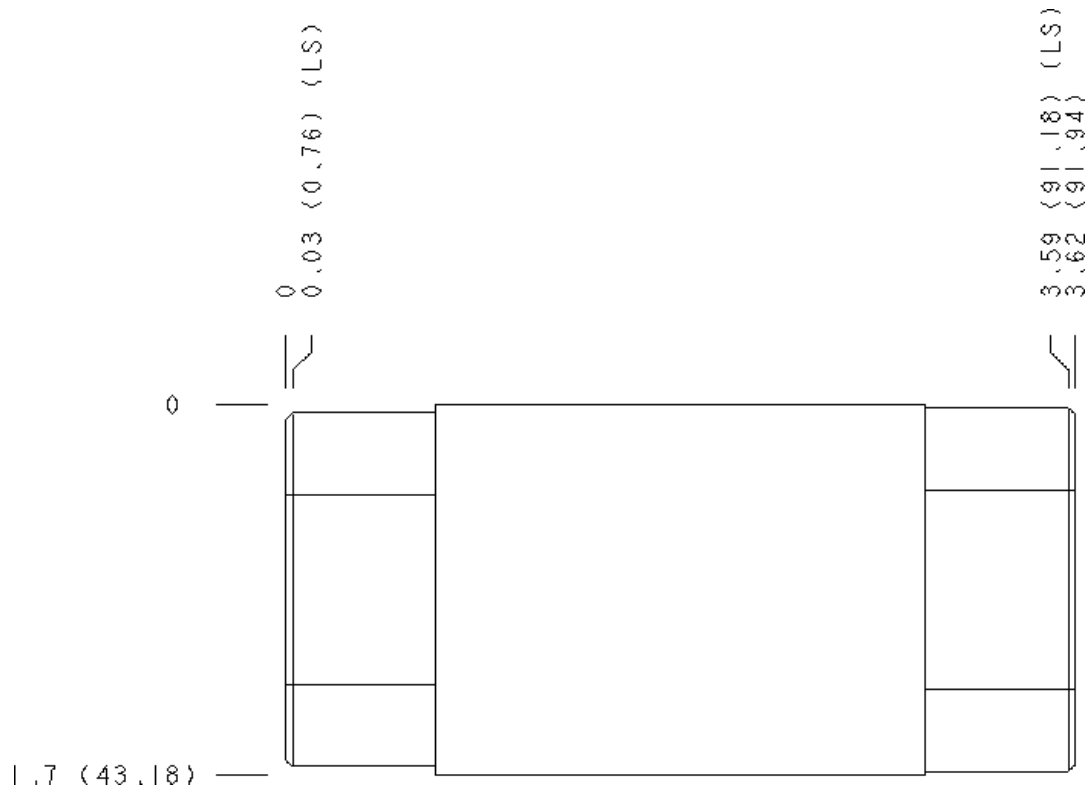
Face 2



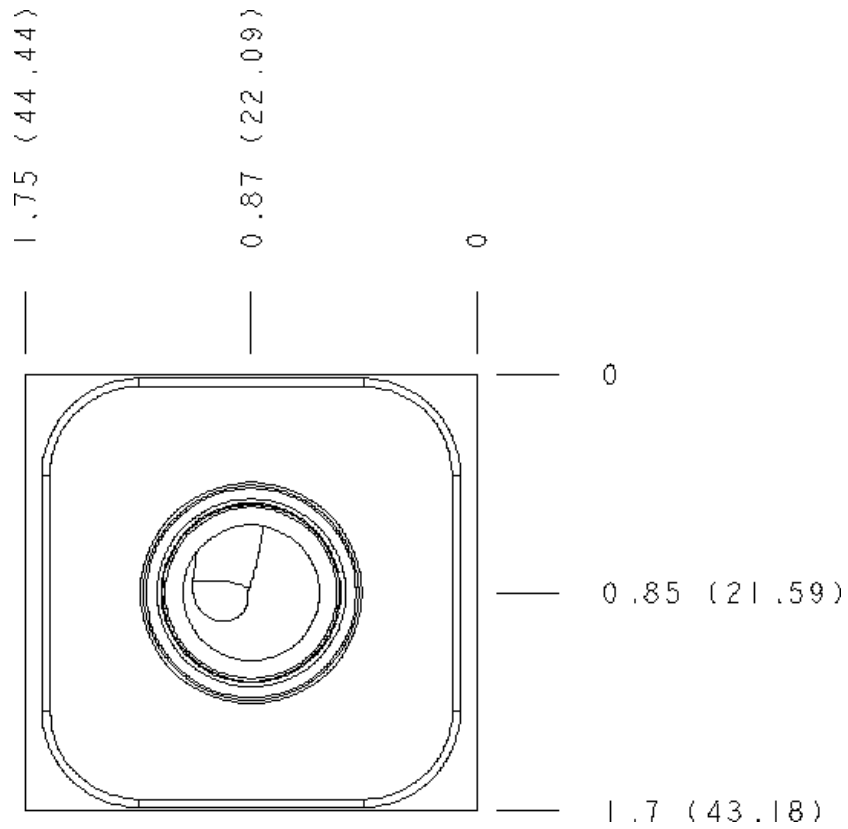
Face 5



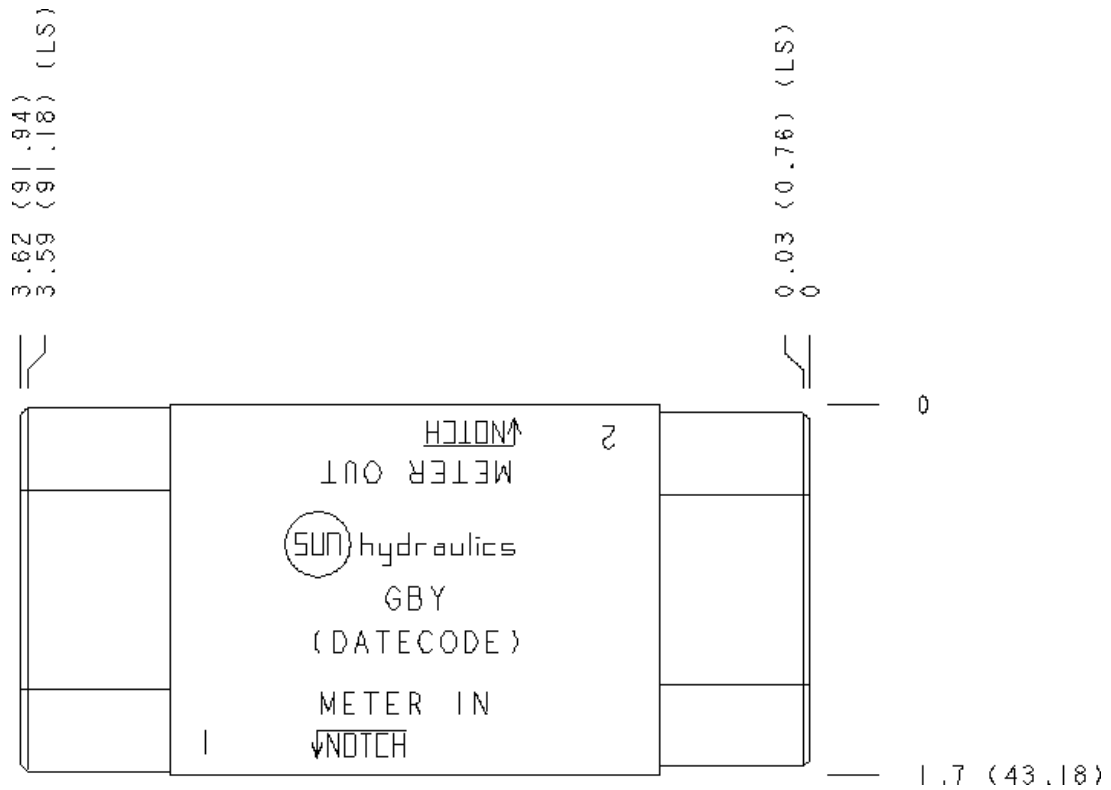
Face 6



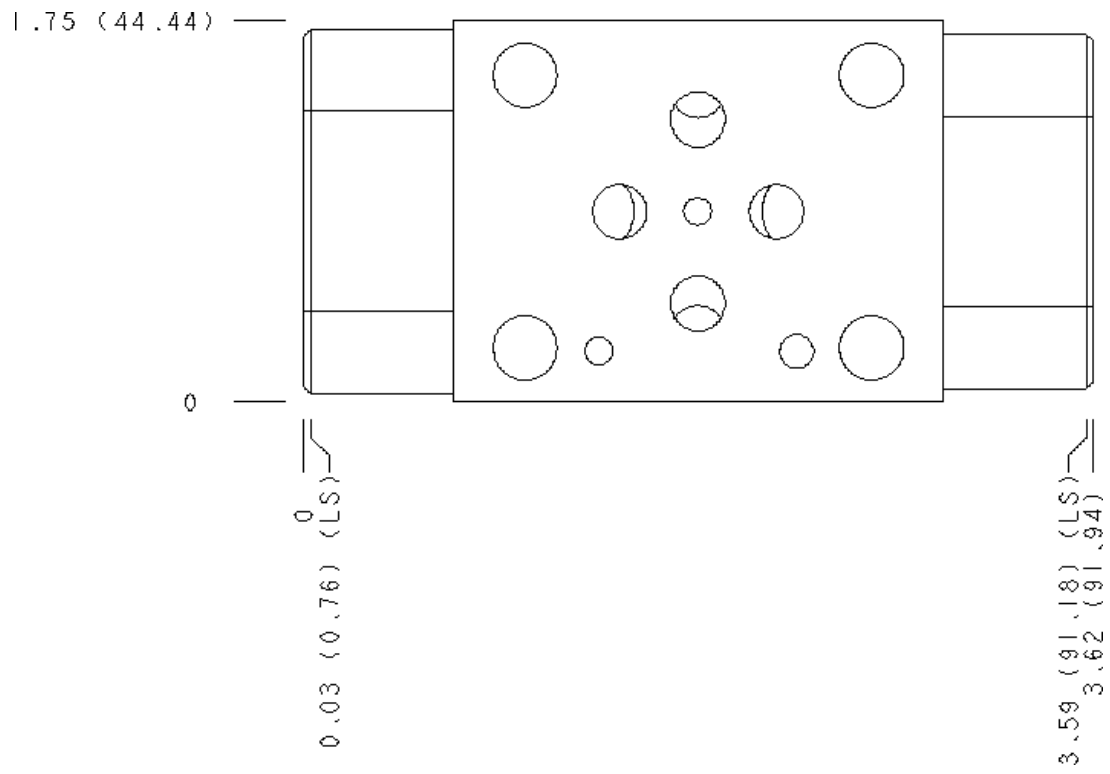
Face 7



Face 8



Face 10



Copyright © 2002-2014 Sun Hydraulics Corporation. All rights reserved.