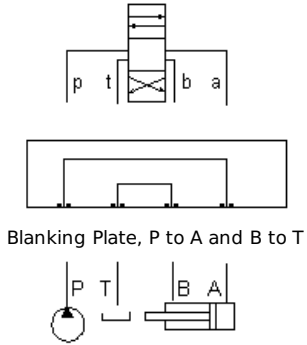


MODELL
ZJM

Abschlussplatte, P nach A und B nach T



Blanking Plate, P to A and B to T

KONFIGURATION ÄNDERN

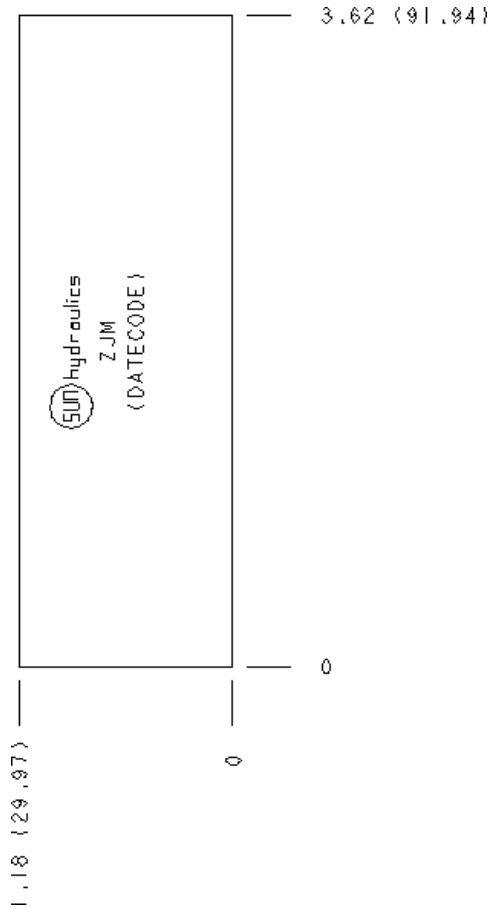
(none) Modifier 6061-T651
Aluminum, Buna-N

KOMPONENTEN

| Part | Beschreibung | Anzahl |
|--------------|--------------|--------|
| A330-006-006 | SAE Plug | 1 |

BEMERKUNGEN

Important: Carefully consider the maximum system pressure. The pressure rating of the manifold is dependent on the manifold material, with the port type/size a secondary consideration. Manifolds constructed of aluminum are not rated for pressures higher than 3000 psi (210 bar), regardless of the port type/size specified.



TECHNISCHE DATEN

| | |
|----------------------|--|
| Gehäusotyp | Sandwich |
| Lochbild | ISO 05 |
| Gehäuseeigenschaften | Abschlussplatte, P nach A und B nach T |
| Open Cavities | 0 |
| Gewicht | 0.43 kg. |

CONFIGURATION OPTIONS

MODIFIER

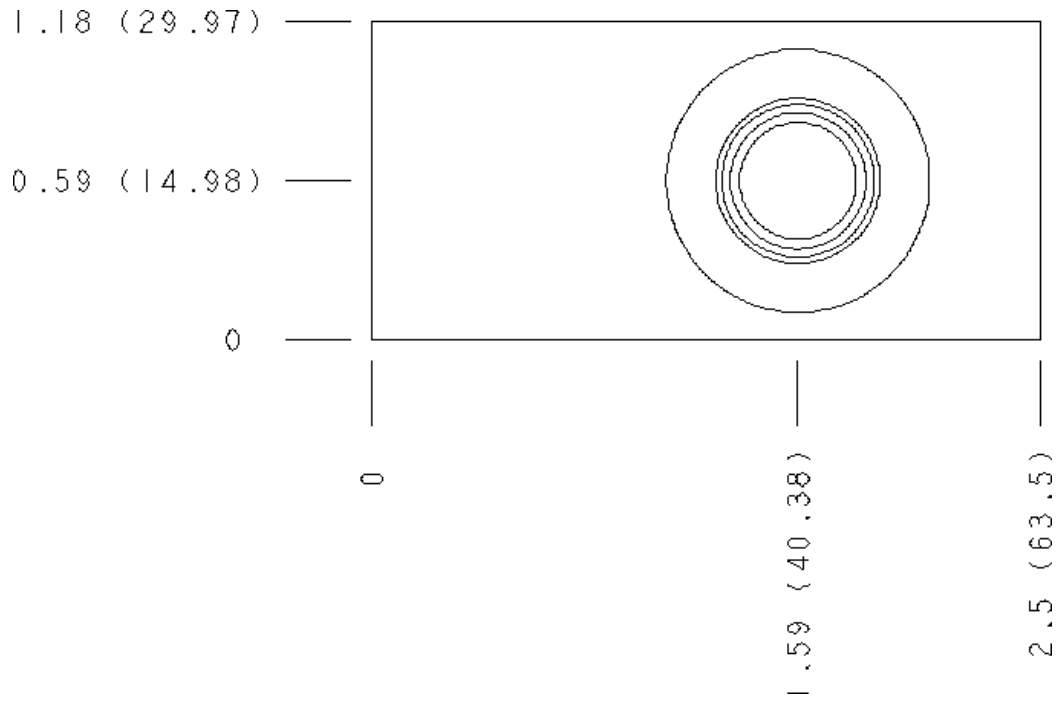
| | | |
|-------------------------|----|--|
| Standard Options | /S | 6061-T651 Aluminum, Buna-N |
| | /V | 65-45-12 Ductile Iron, Buna-N, Blackened |
| | /N | 6061-T651 Aluminum, Viton |
| | /Y | 65-45-12 Ductile Iron, Viton, Blackened |

MANIFOLD FACES

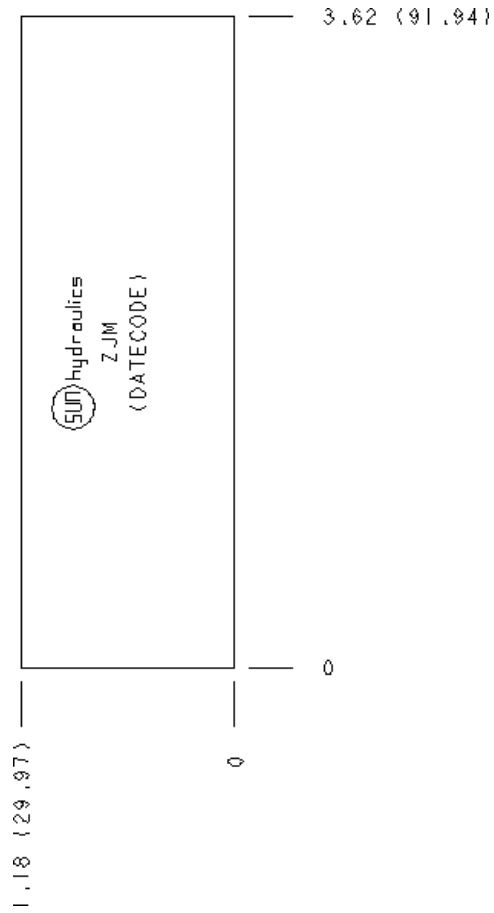
FACE GRID

| | | | |
|---|----|----|----|
| 1 | 2 | 3 | 4 |
| 5 | 6 | 7 | 8 |
| 9 | 10 | 11 | 12 |

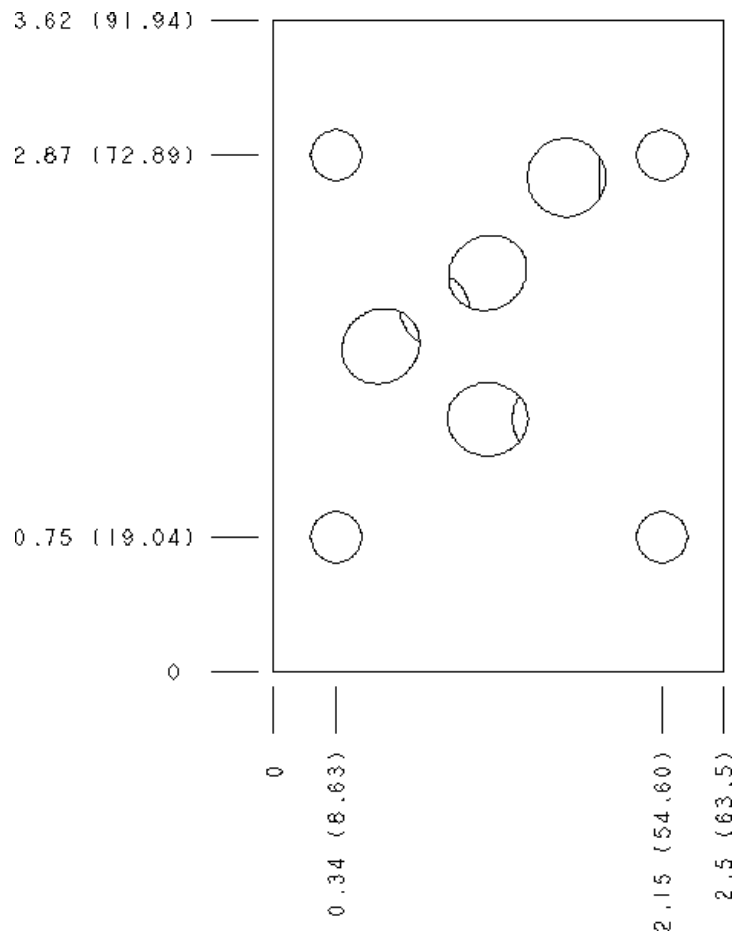
Face 2



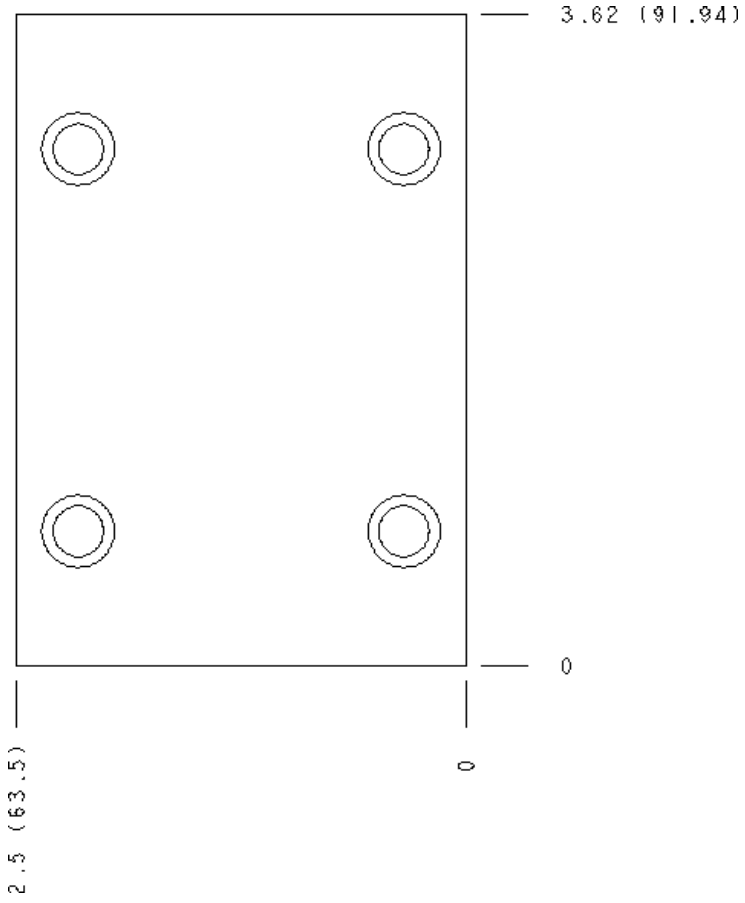
Face 5



Face 6



Face 8



Copyright © 2002-2014 Sun Hydraulics Corporation. All rights reserved.