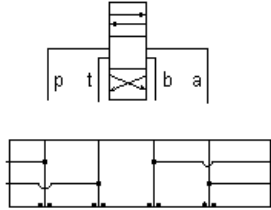
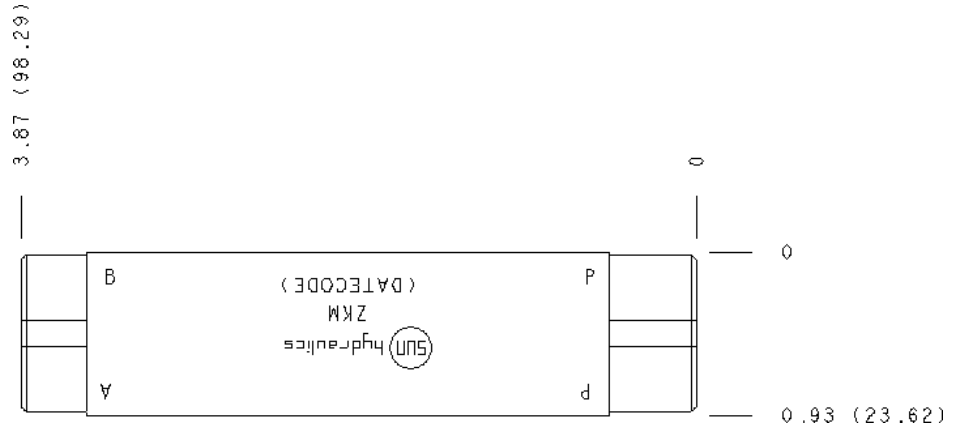
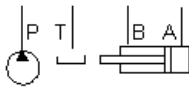


MODELL
ZKM
Gewinde im Block - P, T, A und B


Circuit Saver, P, T, A and B, Tap in Manifold


KONFIGURATION ÄNDERN

(none) Modifier 6061-T651 Aluminum, Buna-N

PORT HEADINGS AND SIZES

Model	Port Heading	Size
ZKM	External Port	1/4" BSPP

KOMPONENTEN

Part	Beschreibung	Anzahl
500-001-014	O-Ring	5
700-001	Seal Plate	1

BEMERKUNGEN

Important: Carefully consider the maximum system pressure. The pressure rating of the manifold is dependent on the manifold material, with the port type/size a secondary consideration. Manifolds constructed of aluminum are not rated for pressures higher than 3000 psi (210 bar), regardless of the port type/size specified.

TECHNISCHE DATEN

Gehäusotyp	Sandwich
Lochbild	ISO 05
Gehäuseeigenschaften	Gewinde im Block - P, T, A und B
Verkettungshöhe	25 mm
Open Cavities	0
Anschlussgröße	G 1/4"
Gewicht	0.35 kg.

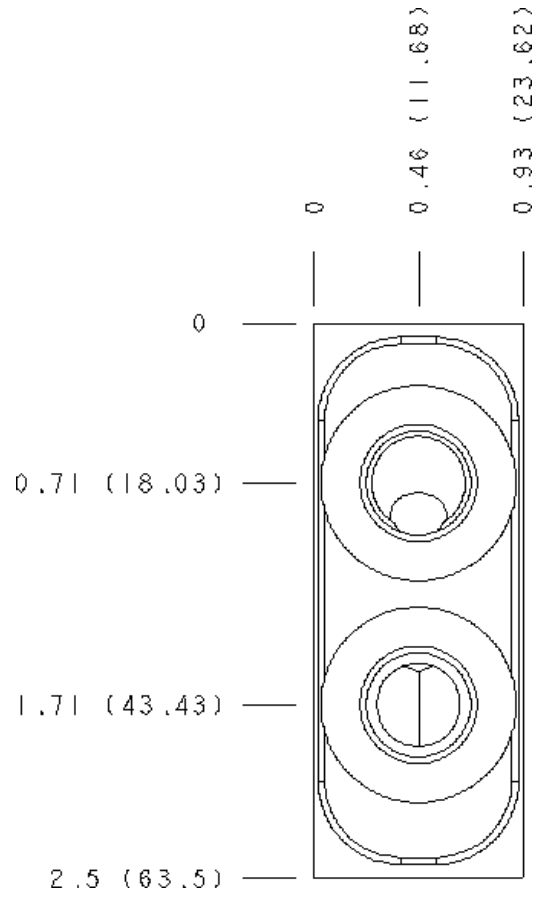
CONFIGURATION OPTIONS
MODIFIER

Standard Options	Modifier	Material
/S	6061-T651 Aluminum, Buna-N	
/V	65-45-12 Ductile Iron, Buna-N, Blackened	
/Y	6061-T651 Aluminum, Viton	
	65-45-12 Ductile Iron, Viton, Blackened	

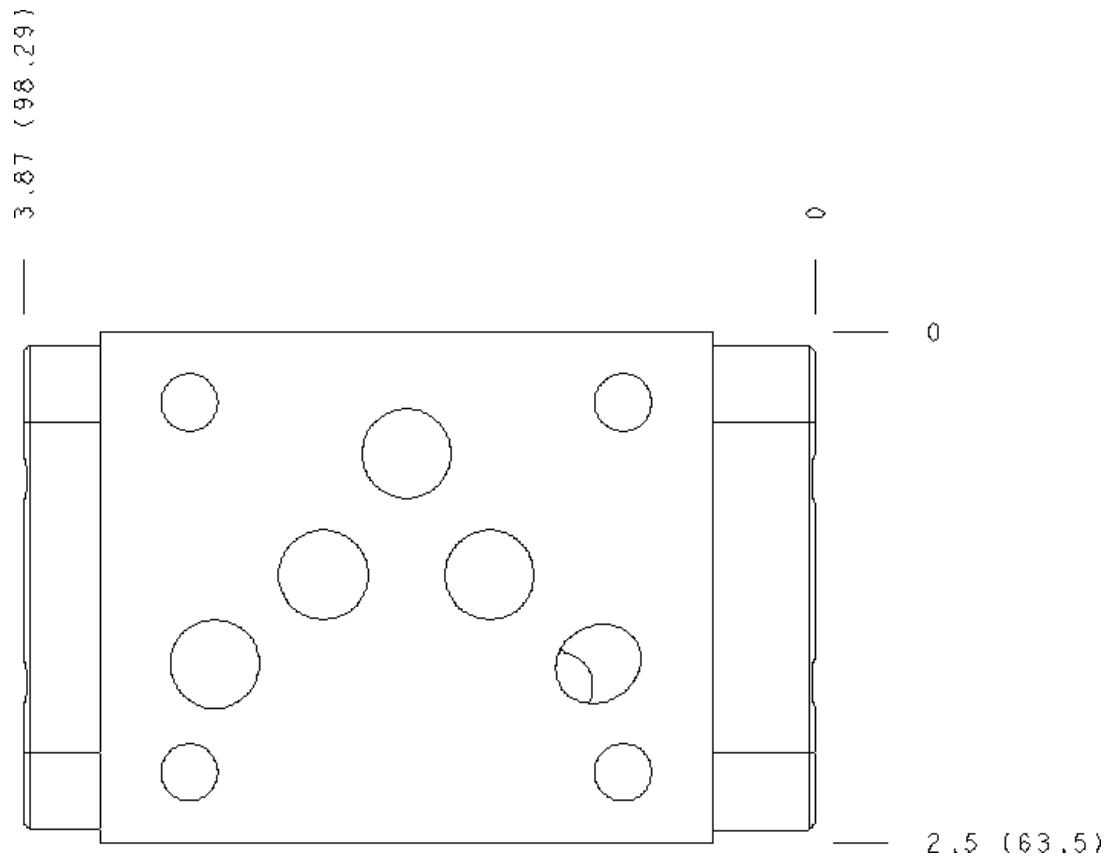
MANIFOLD FACES
FACE GRID

1	2	3	4
5	6	7	8

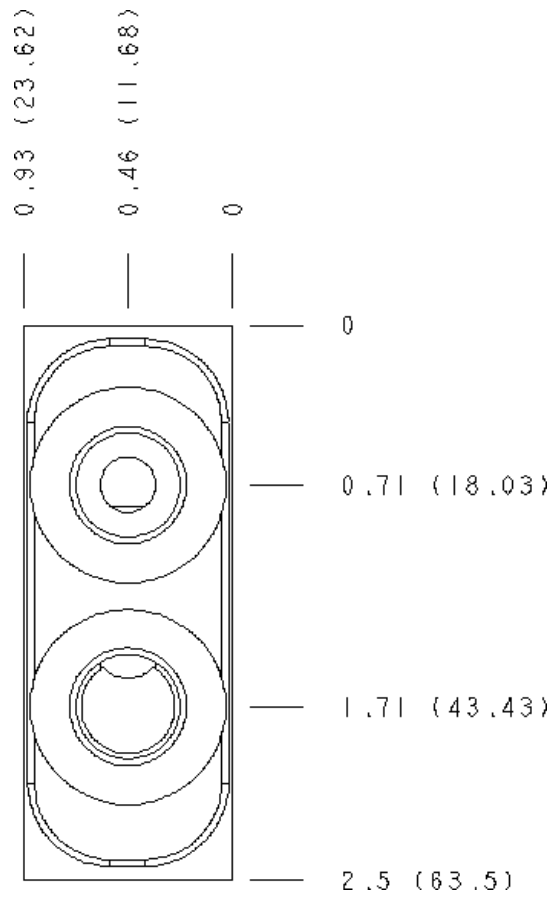
Face 1



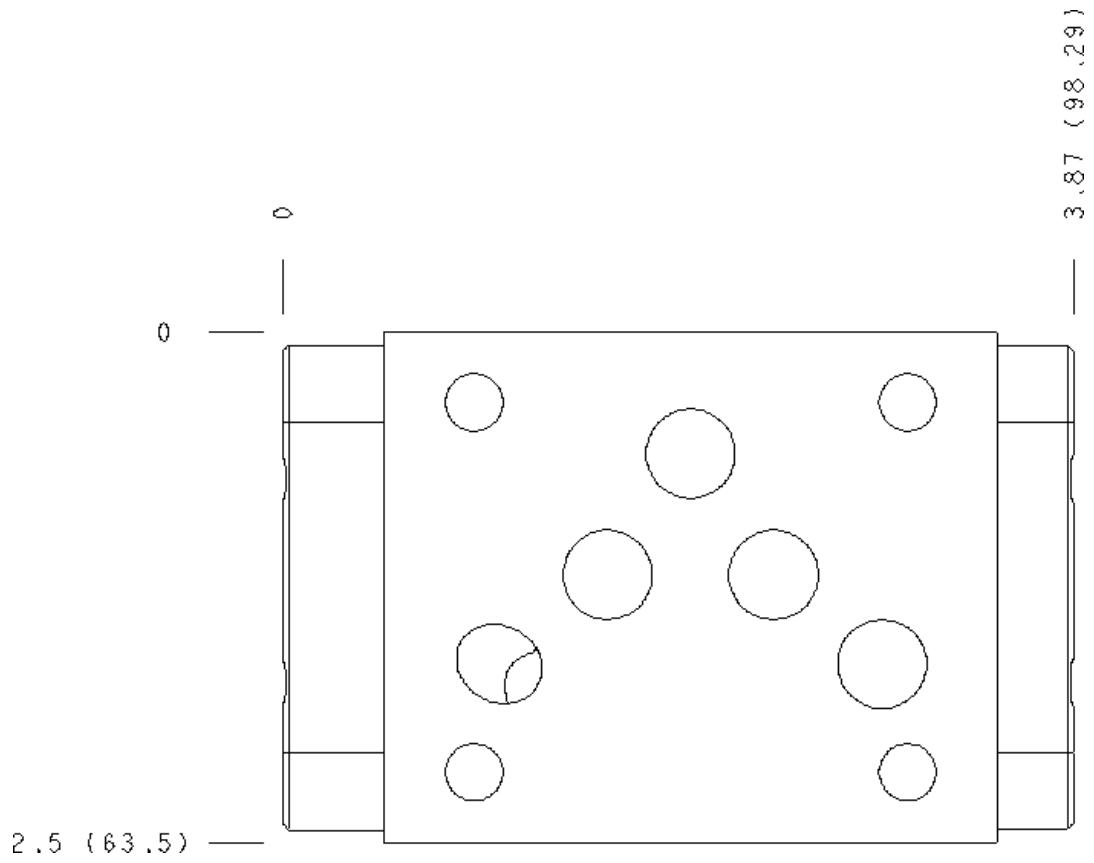
Face 2



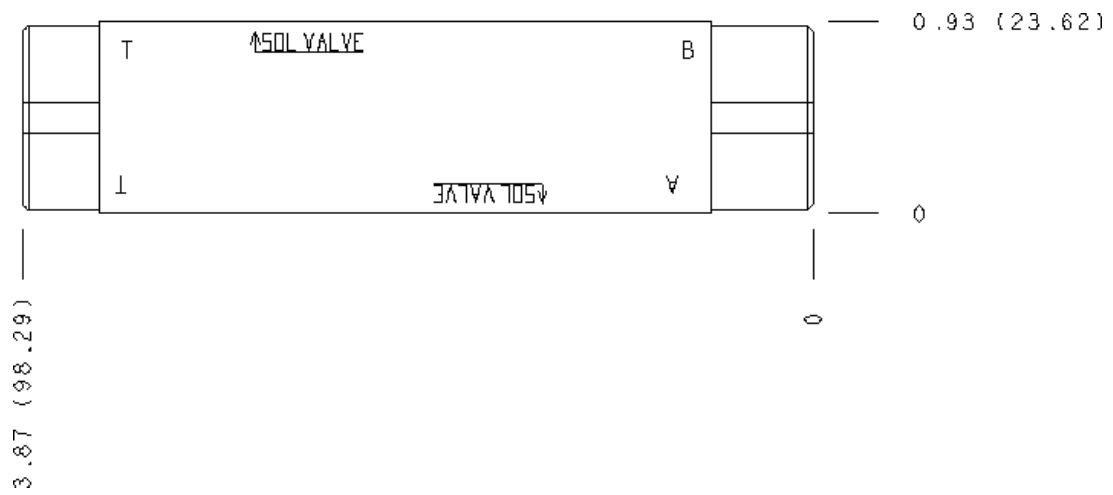
Face 3



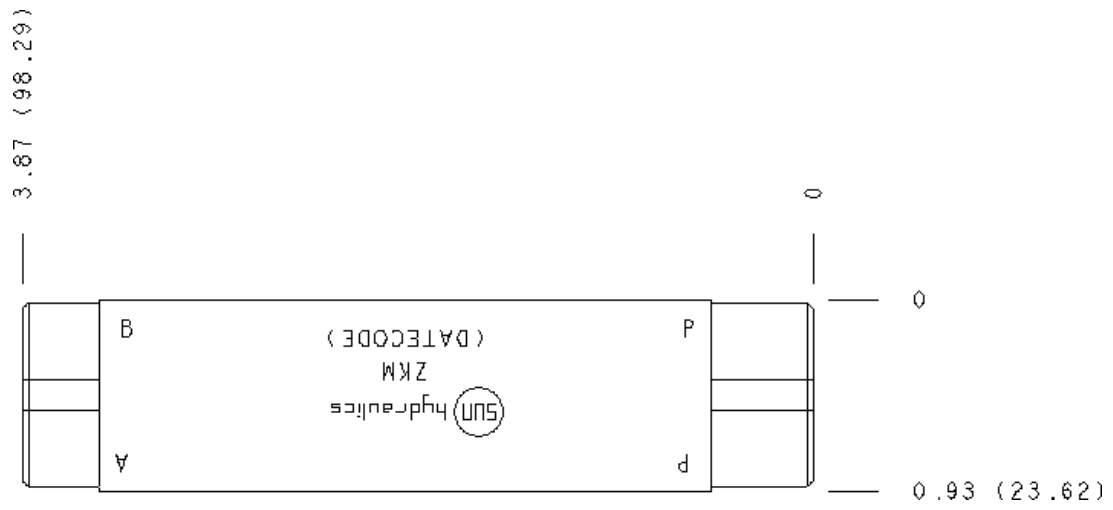
Face 4



Face 6



Face 14



Copyright © 2002-2014 Sun Hydraulics Corporation. All rights reserved.