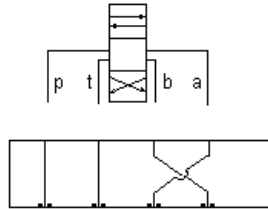
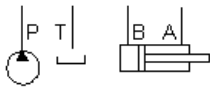


**MODELL**  
ZKX

**Adapter - tauscht Anschlüsse A und B**



Circuit Saver, Adaptor Block Switching  
Ports A and B



**KONFIGURATION ÄNDERN**

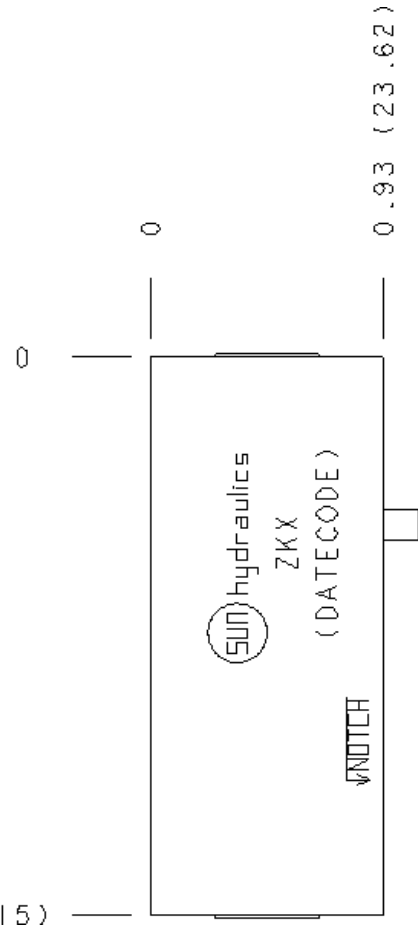
(none) Modifier 6061-T651  
Aluminum, Buna-N

**KOMPONENTEN**

Part	Beschreibung	Anzahl
500-001-012	O-Ring	4
700-002	Seal Plate	1
811-001-006	Pin	1
A330-006-002	SAE Plug	2

**BEMERKUNGEN**

**Important:** Carefully consider the maximum system pressure. The pressure rating of the manifold is dependent on the manifold material, with the port type/size a secondary consideration. Manifolds constructed of aluminum are not rated for pressures higher than 3000 psi (210 bar), regardless of the port type/size specified.



**TECHNISCHE DATEN**

Gehäusetyp	Sandwich
Lochbild	ISO 03
Gehäuseeigenschaften	Adapter - tauscht Anschlüsse A und B
Verkettungshöhe	25 mm
Open Cavities	0
Gewicht	0.19 kg.

**CONFIGURATION OPTIONS**

**MODIFIER**

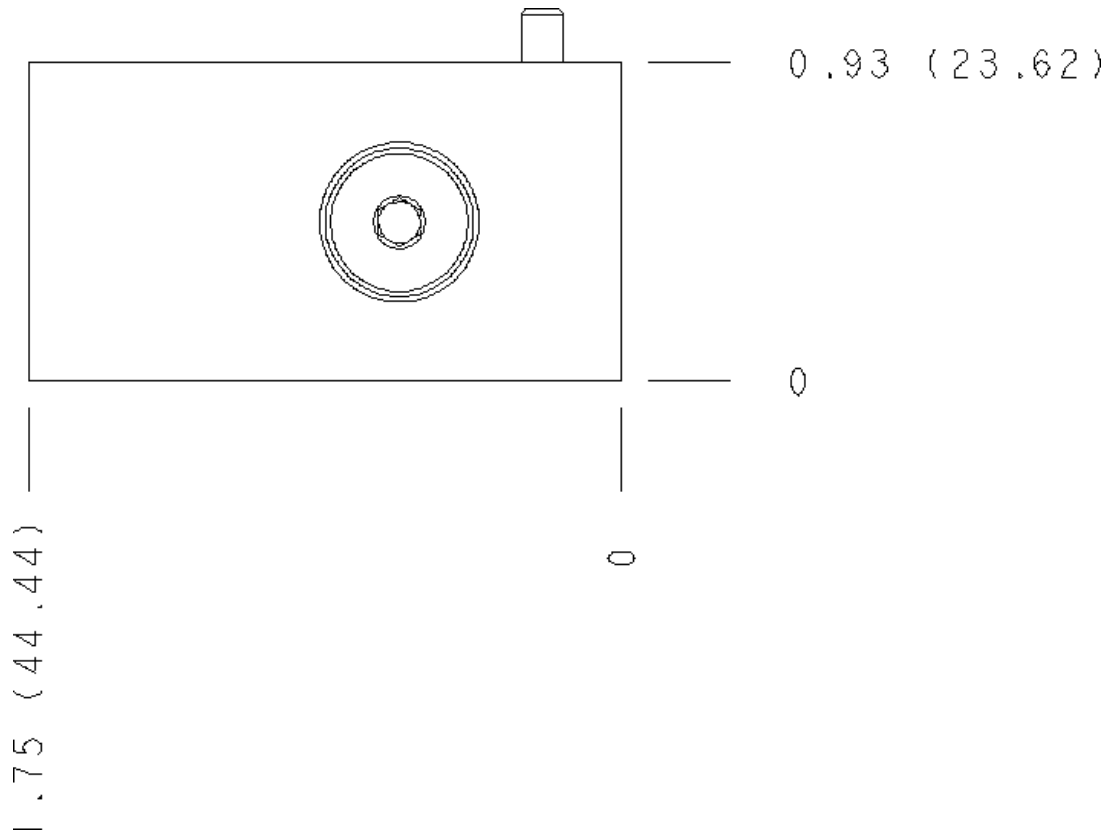
<b>Standard Options</b>	<b>/S</b>	6061-T651 Aluminum, Buna-N
	<b>/V</b>	65-45-12 Ductile Iron, Buna-N, Blackened
	<b>/N</b>	6061-T651 Aluminum, Viton
	<b>/Y</b>	65-45-12 Ductile Iron, Viton, Blackened

**MANIFOLD FACES**

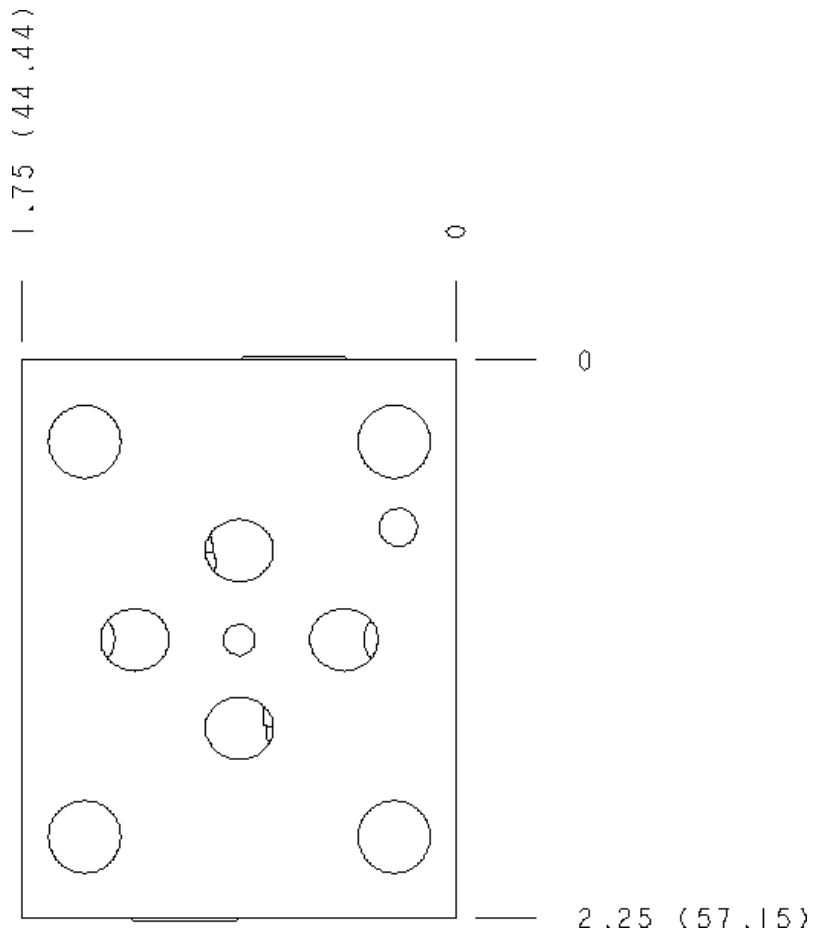
**FACE GRID**

1	2	3	4
5	6	7	8
9	10	11	12

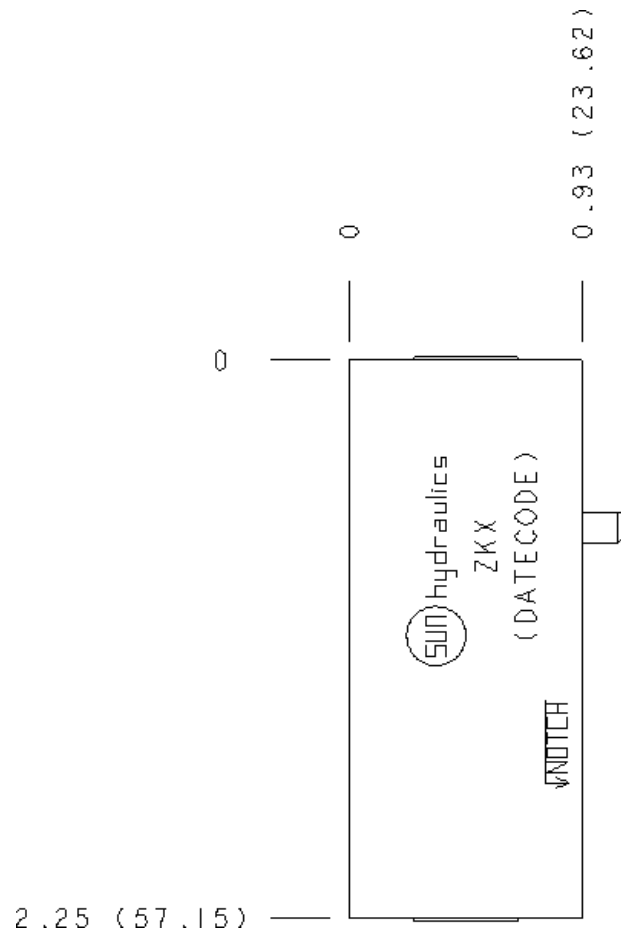
**Face 2**



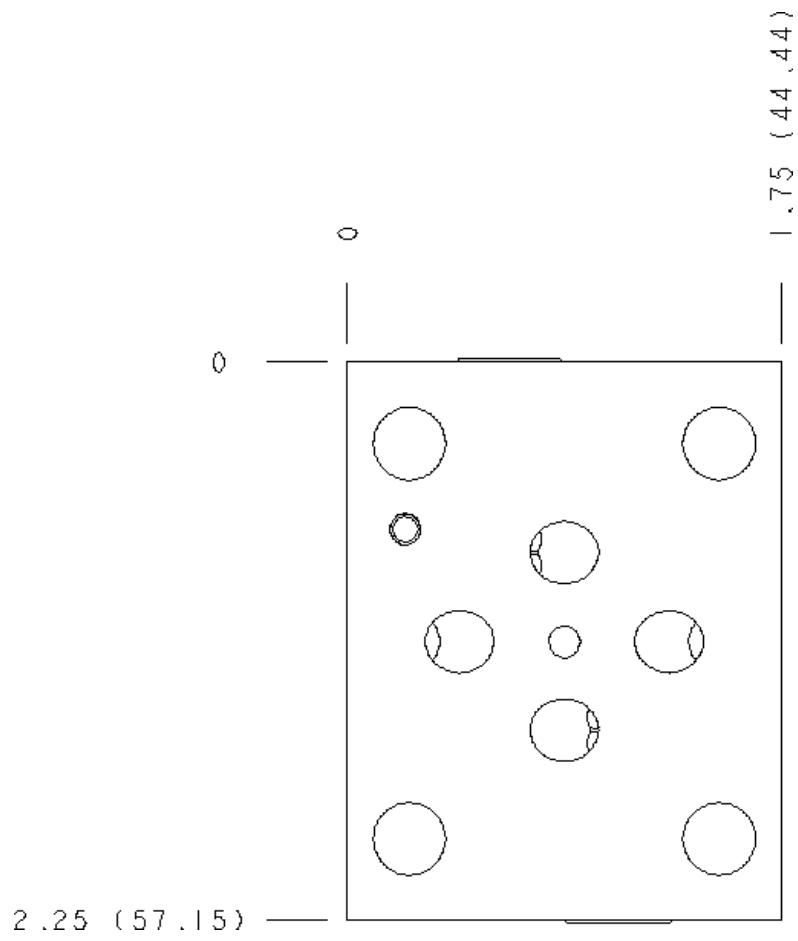
**Face 6**



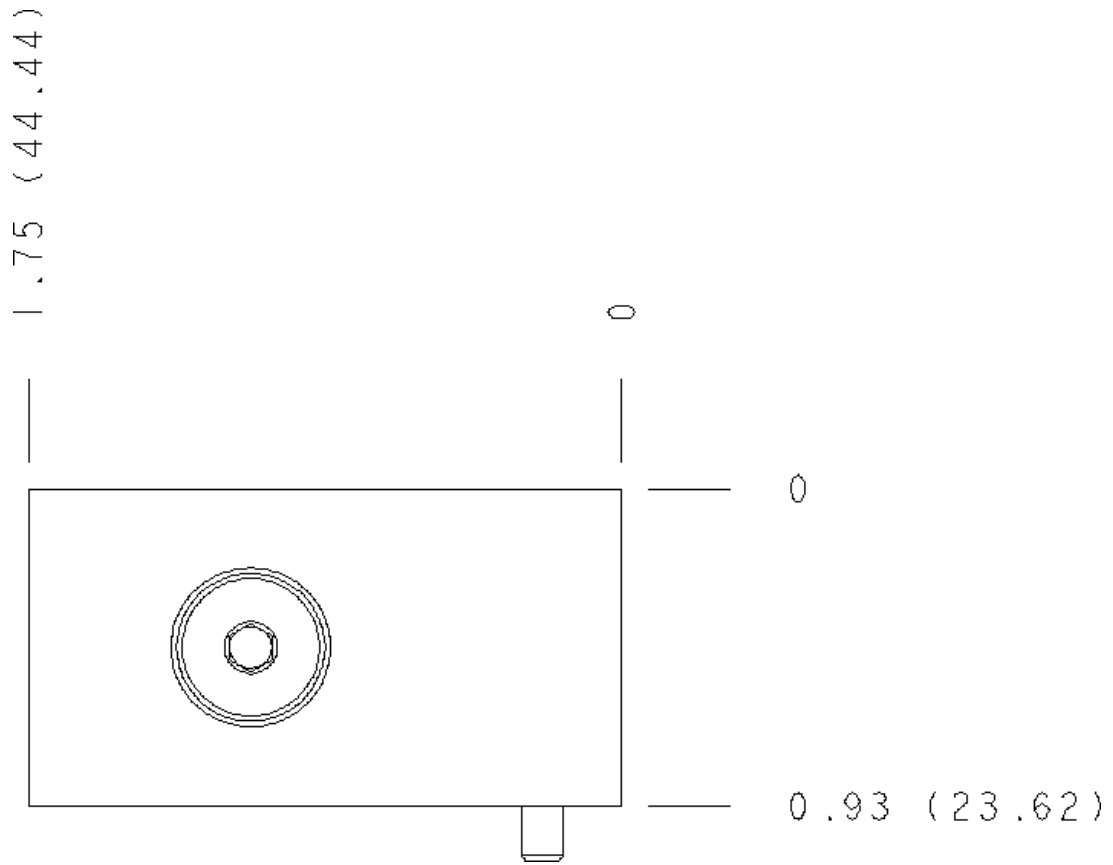
**Face 7**



**Face 8**



**Face 10**



Copyright © 2002-2014 Sun Hydraulics Corporation. All rights reserved.